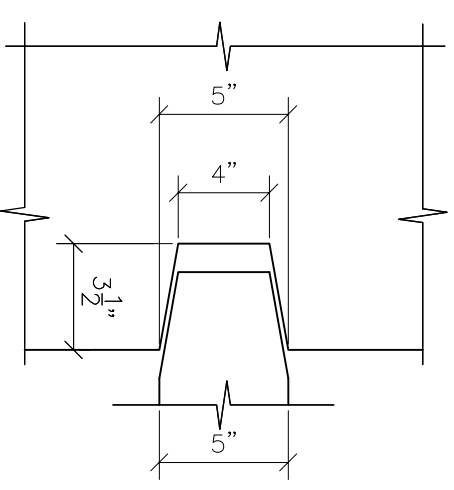
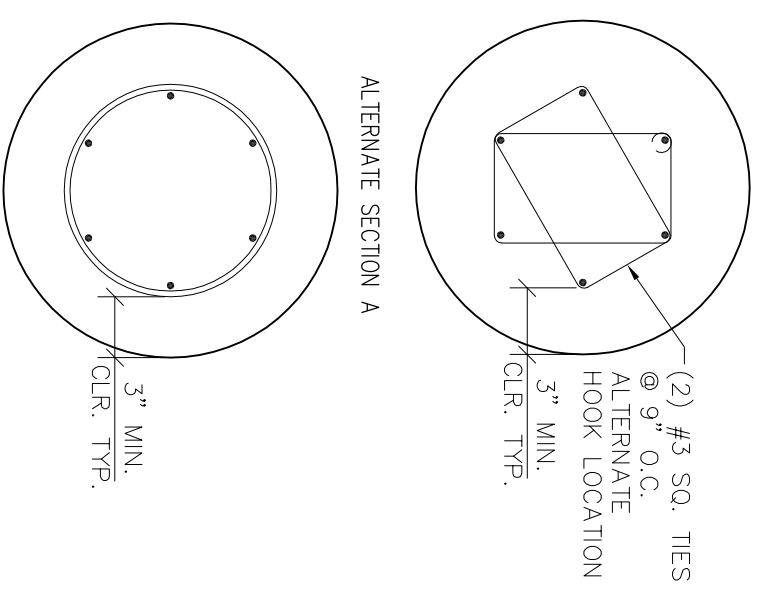


- NOTES:
1. POST AND PANEL CONCRETE TO BE 4000 PSI.
  2. FOOTING CONCRETE TO BE 3000 PSI.
  3. MINIMUM SOIL LATERAL BEARING ALLOWABLE: 150 PSF/FT. OF DEPTH BELOW GRADE
  4. MINIMUM SOIL BEARING PRESSURE ALLOWABLE: 1500 PSF.
  5. DESIGN WIND SPEED 90 MPH, ASCE 7-02 EXPOSURE C.
  6. DIMENSIONS MAY BE REDUCED TO FIT PROJECT REQUIREMENTS.



DO NOT SCALE DRAWINGS

<b>PROJECT ARCHITECT</b> 0 <b>PROJECT ENGINEER</b> CONRAD GUYMON <b>DRAWN BY</b> JASON PARKER <b>DATE DRAWN</b> 10/22/04 <b>PLOT DATE</b>	DRAWING ISSUE		DATE	BY
	1			
	2			
	3			

<b>PROJECT</b> VERTICRETE WALLS WITH 2FT BASE EXTENSION <b>SHEET TITLE</b> WALL PANEL TICKET/ DETAIL	<b>VERTI-CRETE</b> 16500 SOUTH 500 WEST BLUFFDALE, UTAH 84065 PHONE: (801) 571-5041 FAX: (801) 576-1595	<b>PROJECT NO.</b> 47741 <b>DRAWING NO.</b> W2
---	---	---