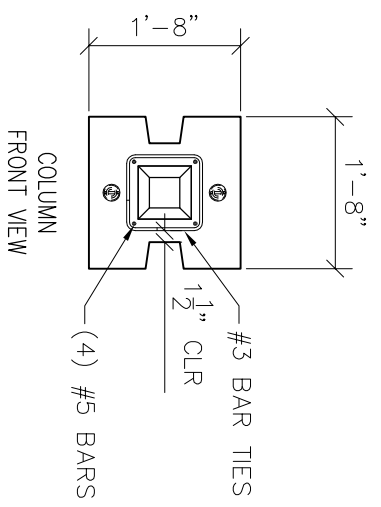
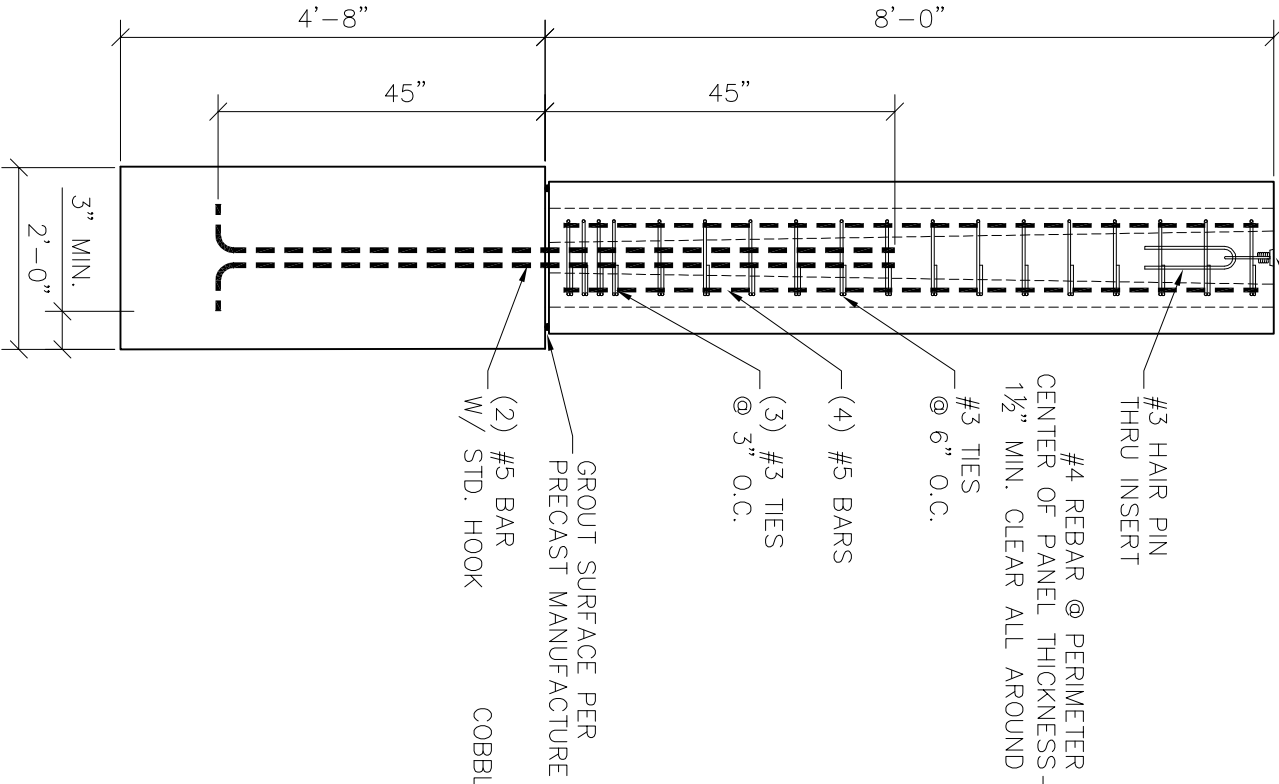


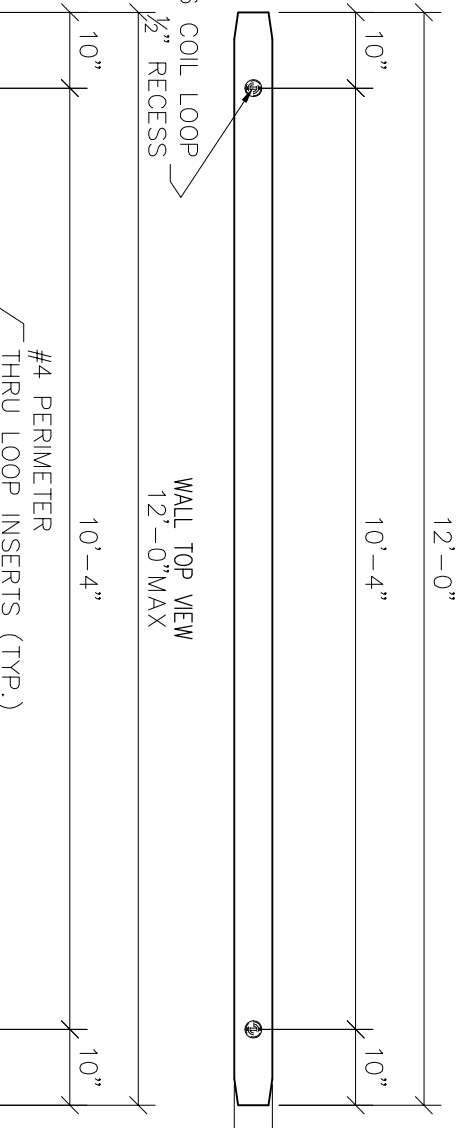
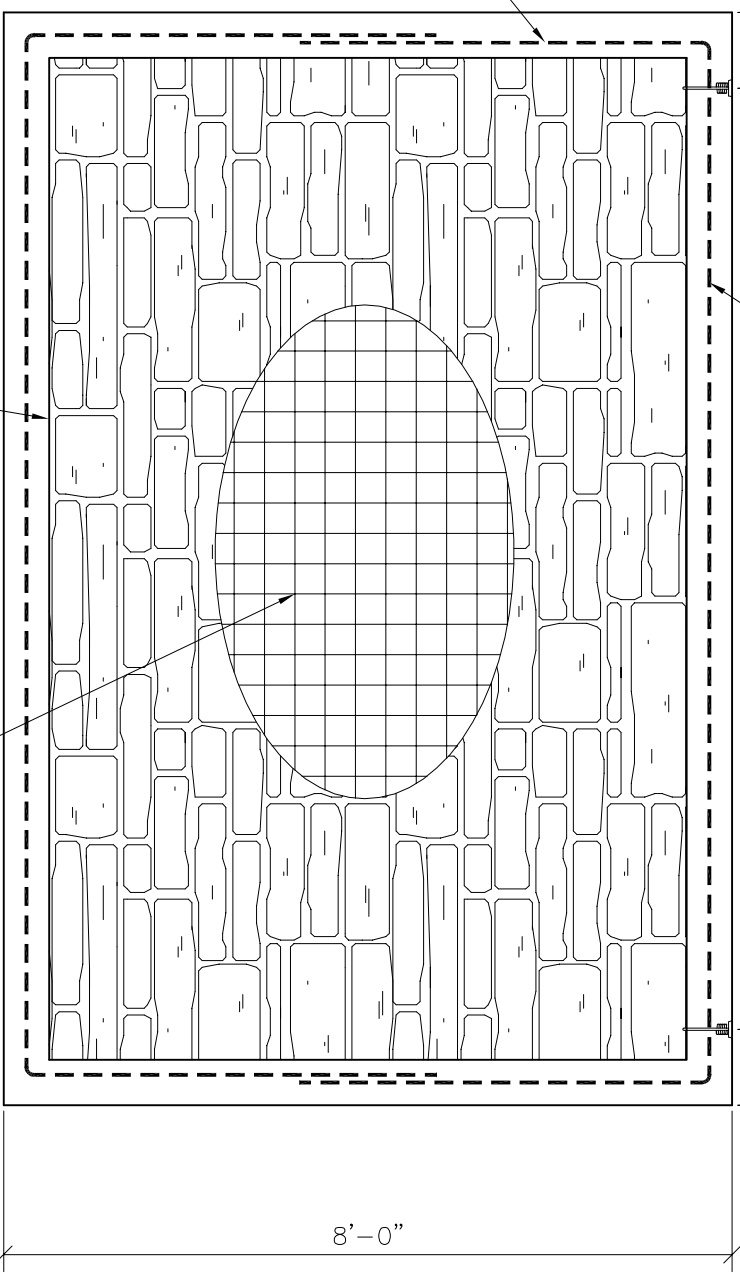
FRONT VIEW



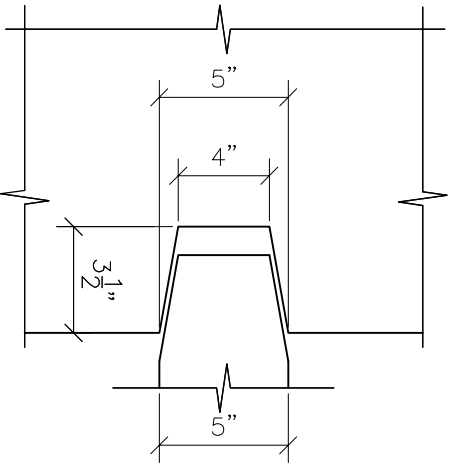
WALL TO BE PRECAST W/
COBBLESTONE PATTERN BOTH SIDES
SEE WALL ELEVATION

WALL FRONT VIEW

6x6-W4.0xW4.0 WWF
CENTER IN WALL



- NOTES:
1. POST AND PANEL CONCRETE TO BE 4000 PSI.
 2. FOOTING CONCRETE TO BE 3000 PSI.
 3. MINIMUM SOIL LATERAL BEARING ALLOWABLE: 150 PSF/FT. OF DEPTH BELOW GRADE
 4. MINIMUM SOIL BEARING PRESSURE ALLOWABLE: 1500 PSF.
 5. DESIGN WIND SPEED 90 MPH, ASCE 7-02 EXPOSURE B.
 6. DIMENSIONS MAY BE REDUCED TO FIT PROJECT REQUIREMENTS.



DO NOT SCALE DRAWINGS

PROJECT NO.
47741
W2
DRAWING NO.

PROJECT
VERTICRETE WALLS
WITH 2FT BASE EXTENSION

SHEET TITLE
WALL PANEL TICKET/ DETAIL

VERTI-CRETE
16500 SOUTH 500 WEST
BLUFFDALE, UTAH 84065
PHONE: (801) 571-5041
FAX: (801) 576-1595

PROJECT ARCHITECT
0

PROJECT ENGINEER
CONRAD GUYMON

DRAWN BY
JASON PARKER

DATE DRAWN
10/22/04

PLOT DATE

DRAWING	ISSUE	DATE	BY
1			
2			
3			
4			