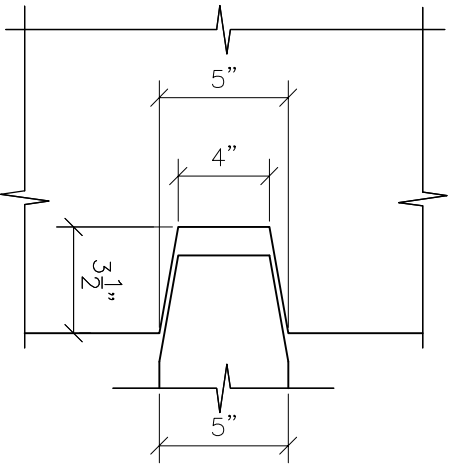
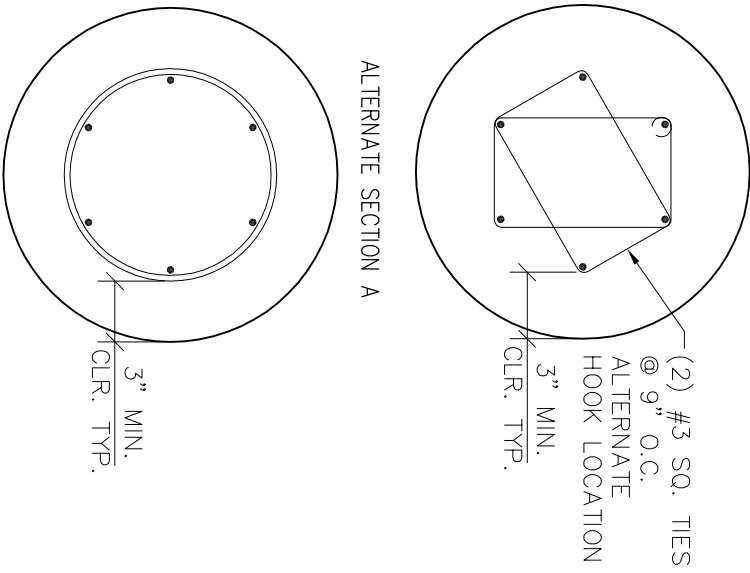


- NOTES:
1. POST AND PANEL CONCRETE TO BE 4000 PSI.
 2. FOOTING CONCRETE TO BE 3000 PSI.
 3. MINIMUM SOIL LATERAL BEARING ALLOWABLE: 150 PSF/FT. OF DEPTH BELOW GRADE
 4. MINIMUM SOIL BEARING PRESSURE ALLOWABLE: 1500 PSF.
 5. DESIGN WIND SPEED 90 MPH, ASCE 7-02 EXPOSURE C.
 6. DIMENSIONS MAY BE REDUCED TO FIT PROJECT REQUIREMENTS.



DO NOT SCALE DRAWINGS

PROJECT ARCHITECT 0 PROJECT ENGINEER CONRAD GUYMON DRAWN BY JASON PARKER DATE DRAWN 10/22/04 PLOT DATE	DRAWING ISSUE		DATE	BY
	1			
	2			
	3			
	4			

VERTI-CRETE

16500 SOUTH 500 WEST
BLUFFDALE, UTAH 84065
PHONE: (801) 571-5041
FAX: (801) 576-1595

PROJECT
VERTICRETE WALLS
WITH 2FT BASE EXTENSION

SHEET TITLE
WALL PANEL TICKET/ DETAIL

PROJECT NO.
47741
DRAWING NO.
W/3